



**FIRE END**

# FIRE HOSE CABINETS CATALOGUE





# FIRE END

## FIRE HOSE CABINETS

**FIRE END fire hose reels** are designed and manufactured to **BSEN 671-1:2001** standards. The hose reels are made from **1.2mm thick** ribbed side plates for increased strength and are coated with **UV-resistant Epoxy Powder Coating** in Red (RAL 3000). The hose has **LPCB certification**, meets quality management requirements, and is more durable. The water inlet valve uses a **1.5-inch Angle Valve** with optional **UL/FM certification**. The brass material ensures there is no corrosion inside the water inlet.

### ▪ SINGLE CABINET



**FE300S**



**FE300**

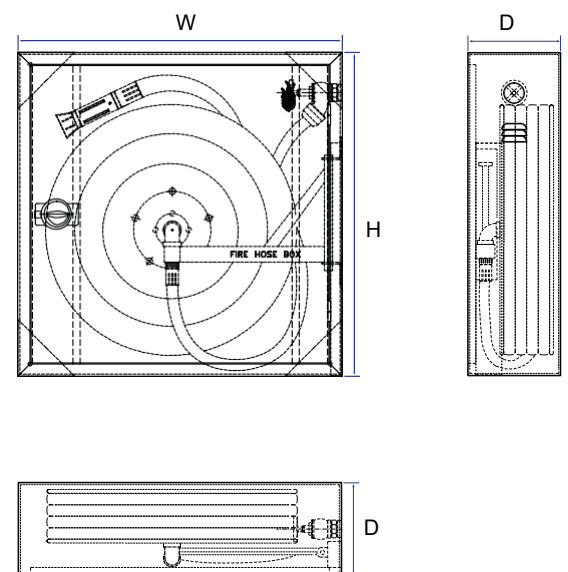
### Features

**Single-door steel cabinets:** One is equipped with a hose reel. The **rubber hose** is 30 meters long and available in both manual and automatic models. These cabinets come in various sizes and designs to meet architectural requirements.

- **Thickness:** 1.2mm.
- **Material:** Full mild steel after powder coating, 1.35mm.
- **Appearance:** Spray paint, outdoor sun protection for 5 years.

MODEL	WIDTH (W)	HEIGHT (H)	DEPTH (D)
FE300 ○	800	800	230
FE300S ○	800	800	230
FE300A ○	800	800	250
FE300AS ○	800	800	250
FE305/20 ○	700	700	200
FE305/30 ○	700	700	250
FE305A ○	700	700	250
FE305AS ○	700	700	250

All dimensions are in mm.



Due to continuous product improvement, we reserve the right to modify the specification without prior notice.

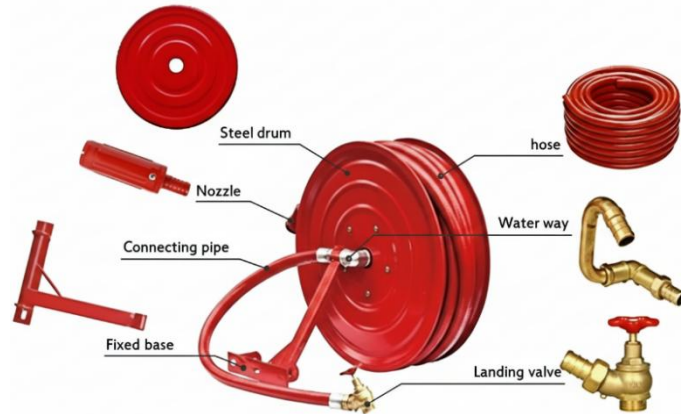
# FIRE HOSE CABINETS

## HOSE REEL

The hose reel discs are finished with electrostatic powder coating and oven-baked at 180°C to 200°C for superior durability and corrosion resistance. The hose reel drum is reinforced with hydraulically pressed ribs to provide additional strength and prevent twisting. The outer rims are rolled over to ensure safe handling and enhance appearance.

The hose is semi-rigid, manufactured from red synthetic rubber, and is available in compliance with BS EN671 standards, featuring two synthetic rubber layers with textile reinforcement.

The standard hose diameter is 25 mm.



## ACCESSORIES

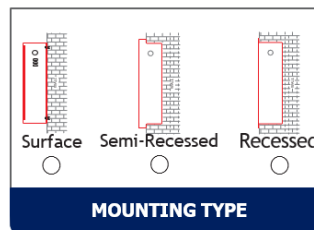
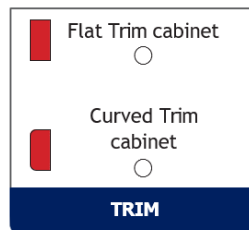
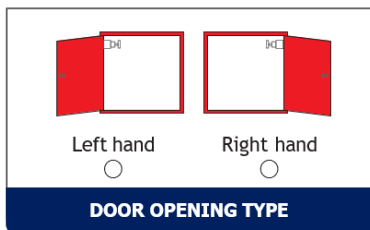
### Hose Valve

1. Material: Brass
2. Size: 1.5 inch
3. Inlet: Female
4. Outlet: Male
5. Optional - UL/FM Certified
6. Optional - Restricting type



### Nozzle

Brass & Chrome Plated without handle for 3-way control. (Jet - Spray - Shut off)



**Door, Frame & Backbox in Stainless Steel (Full Stainless Steel)**

Hairline Finish  Mirror Finish

**Door, Frame & Backbox in Mild Steel (Full Mild Steel)**

Red Color  \_\_\_\_\_

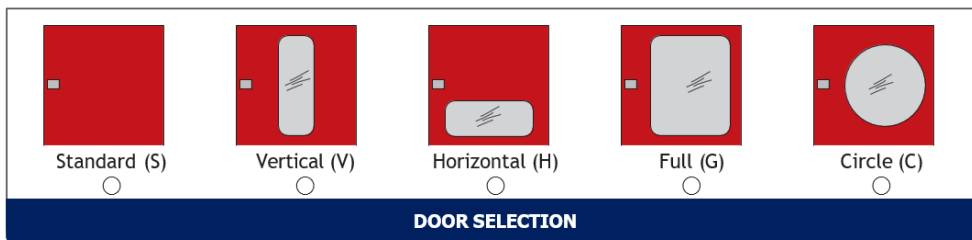
**Backbox in Mild Steel**

Red Color  \_\_\_\_\_

**Door & Frame in Stainless Steel**

Hairline Finish  Mirror Finish

**CABINET MATERIAL & FINISH**





# FIRE END

## FIRE HOSE CABINETS

**FIRE END fire hose reels** are designed and manufactured to **BSEN 671-1:2001** standards. The hose reels are made from **1.2mm thick** ribbed side plates for increased strength and are coated with **UV-resistant Epoxy Powder Coating** in Red (RAL 3000). The hose has **LPCB certification**, meets quality management requirements, and is more durable. The water inlet valve uses a **1.5-inch Angle Valve** with optional **UL/FM certification**. The brass material ensures there is no corrosion inside the water inlet.

### DOUBLE HORIZONTAL CABINET



**FE600S**

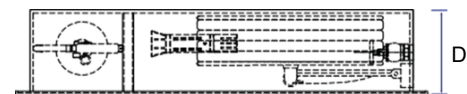
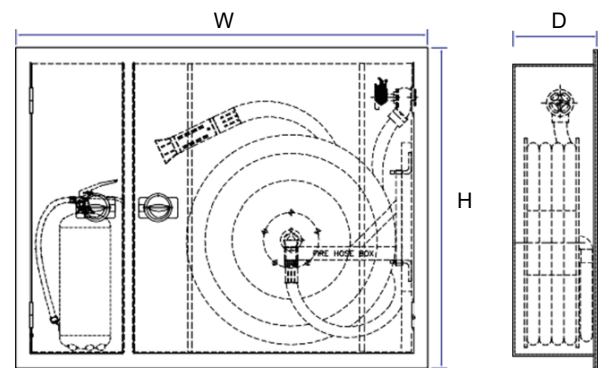


**FE600**

### Features

**Two-door steel cabinets:** One is equipped with a hose reel, and the other is for an optional fire extinguisher. The **rubber hose** is 30 meters long and available in both manual and automatic models. These cabinets come in various sizes and designs to meet architectural requirements.

- **Thickness:** 1.2mm.
- **Material:** Full mild steel after powder coating, 1.35mm.
- **Size:** 1050mm x 800mm x 230mm.
- **Appearance:** Spray paint, outdoor sun protection for 5 years.



MODEL		WIDTH (W)	HEIGHT (H)	DEPTH (D)
FE600	○	1050	800	230
FE600S	○	1050	800	230
FE600A	○	1050	800	250
SF600AS	○	1050	800	250

All dimensions are in mm.

Due to continuous product improvement, we reserve the right to modify the specification without prior notice.

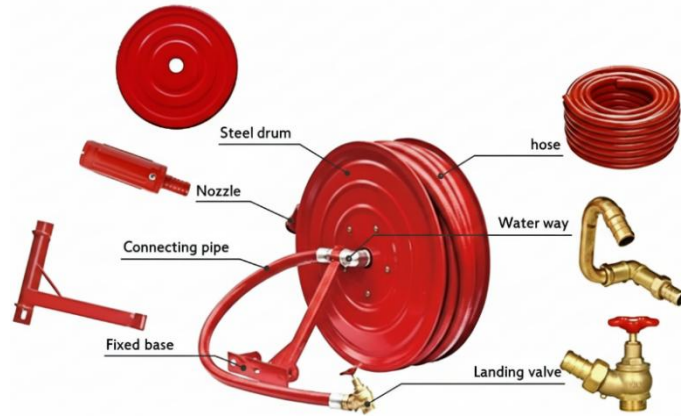
# FIRE HOSE CABINETS

## HOSE REEL

The hose reel discs are finished with electrostatic powder coating and oven-baked at 180°C to 200°C for superior durability and corrosion resistance. The hose reel drum is reinforced with hydraulically pressed ribs to provide additional strength and prevent twisting. The outer rims are rolled over to ensure safe handling and enhance appearance.

The hose is semi-rigid, manufactured from red synthetic rubber, and is available in compliance with BS EN671 standards, featuring two synthetic rubber layers with textile reinforcement.

The standard hose diameter is 25 mm.



## ACCESSORIES

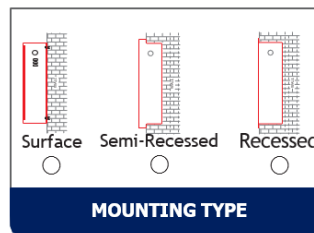
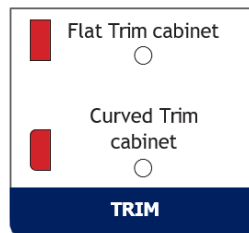
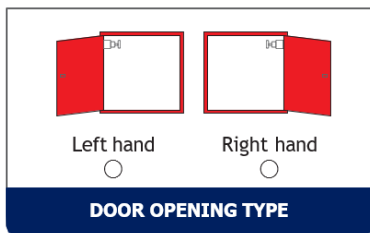
### Hose Valve

1. Material: Brass
2. Size: 1.5 inch
3. Inlet: Female
4. Outlet: Male
5. Optional - UL/FM Certified
6. Optional - Restricting type



### Nozzle

Brass & Chrome Plated without handle for 3-way control. (Jet - Spray - Shut off)



**Door, Frame & Backbox in Stainless Steel (Full Stainless Steel)**

Hairline Finish  Mirror Finish

**Door, Frame & Backbox in Mild Steel (Full Mild Steel)**

Red Color  \_\_\_\_\_

**Backbox in Mild Steel**

Red Color  \_\_\_\_\_

**Door & Frame in Stainless Steel**

Hairline Finish  Mirror Finish

**CABINET MATERIAL & FINISH**



# **FIRE END**



**Riyadh, Malaz, at the intersection of Salah Al-Din  
and Fatima al-Zahra**

- **Phone: (+966) 114222871**
- **Phone: (+966) 593847589**
- **Phone: (+966) 0580709087**
- **E-mail: [sales@fireend.net](mailto:sales@fireend.net)**

